

Metal Watch Press



Includes 12 two-sided nylon dies (24 sizes). For use on flat or raised crystals. Won't scratch crystals or cases.

No. 15301 **\$30.00 each**

Watch Movement Holder



12 plastic rings for holding pocket watch movements. From 7.5 to 22.5 ligne.

No. 13557 **\$4.00 each**

Watch Movement & Case Holder



Hardwood adjustable holder. 3" x 3".

No. 16976 **\$5.25 each**

Assembly Posts-Metal

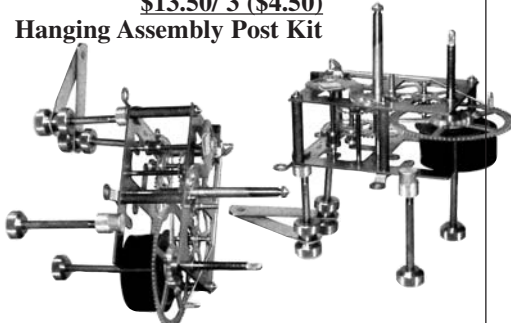


Attach to clock plates during assembly. The offset brass head prevents damage to brass clock plates. Three or four posts are necessary for assembly.

No. 13408 2-1/2" Long **\$3.25 each**
\$9.00/3 (\$3.00)

No. 22830 3-3/4" Long **\$4.75 each**
\$13.50/3 (\$4.50)

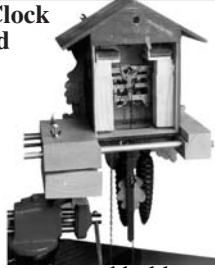
Hanging Assembly Post Kit



Assemble movements at the bench. Then hang it on wall for inspection and rating. Includes four assembly posts with brass heads and a special bracket for hanging.

No. 13409 **\$13.50 set**

Cuckoo Clock Test Stand



Heavy duty test stand holds cases as wide as 9-1/2" with a simple adjustable screw. Mounts in your vise for easy set up. Holds clock case with weights and pendulum installed.

No. 20198 **\$40.00 each**

Grandfather Movement Test Stand

NEW

Wood test stand is perfect for testing grandfather, grandmother and most movements on seatboards. 44-1/2" tall x 14-1/2" wide stand will accommodate pendulum drops up to 47". All holes are predrilled and all hardware is included. Assembly required.

No. 23554 **\$60.00 each**

Grandfather Movement Test Stand



NEW

Holds up to 4 grandfather movements at once and can be free standing or attached to a wall. Accommodates movements up to 10" wide. Adjustable feet and slide to allow various movement depths. 30" long x 12" deep x 48" tall. All aluminum construction.

No. 23361 **\$250.00 each**

Movement Test Stand



This new and improved movement test stand is completely adjustable. It has three thumb screws for leveling in all directions. The horizontal arms are grooved for securely holding rectangular movements.

The adjustable round collars are designed to firmly hold round movements. The rugged aluminum construction is designed for professional shop use. 16-1/2" tall. 1/2" post diameter.

No. 19996 **\$48.00 each**

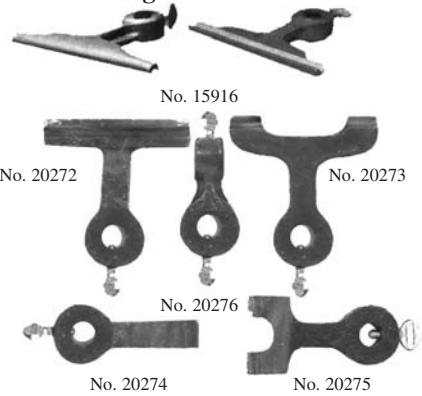
Clock Movement Test Stand

Holds movements for adjusting and regulating. Grooved brackets adjustable up to 11". 2 leveling screws. 1/2" post diameter.

No. 15915 **\$33.50 each**



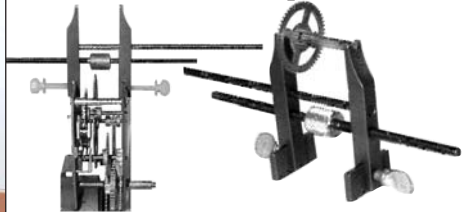
Extra Holding Brackets



Fits No. 15915 stand. Several movements can be tested at once. Fits other test stands with 1/2" post diameter.

No. 15916 **\$16.50 pair**
No. 20272 **\$9.00 each**
No. 20273 **\$9.00 each**
No. 20274 **\$9.00 each**
No. 20275 **\$9.00 each**
2-3/8" x 1-1/4" Unfinished Make Your Own
No. 20276 **\$7.00 each**

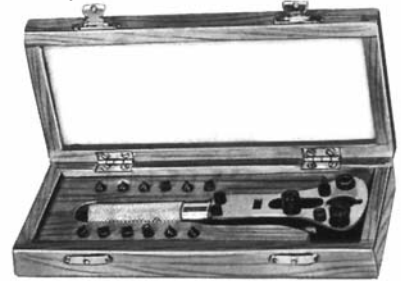
The "Not Just A Plate Spreader"



Here's a great new tool that combines two tools into one. First, it's a plate spreader with non-marring brass and nylon holding screws. It's handy for making adjustments during movement assembly. Second, it's a truing up tool. Just install the included brackets and place a wheel and arbor in the slot.

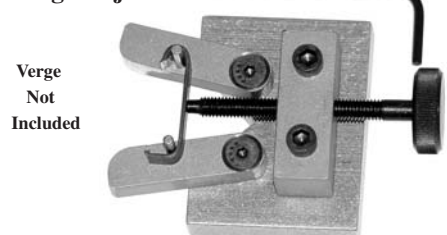
No. 20401 **\$19.50 set**

Jaxa Style Water Proof Case Wrench



Packed in a hardwood box. 5-1/2" long.
No. 14962 **\$14.00 set**

Verge Adjuster



This tool assists you in making adjustments to strap type verges. Includes hex wrench and operating instructions.

No. 22941 **\$54.50 each**